

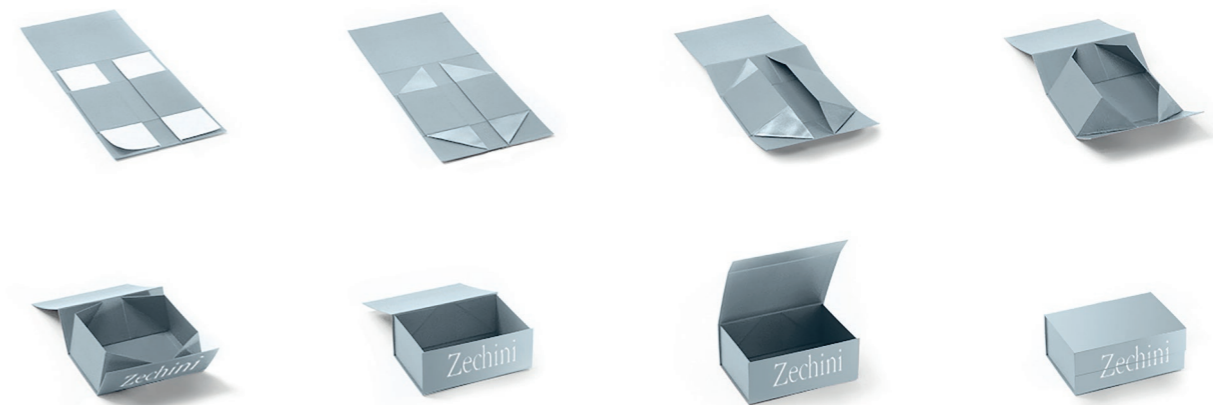
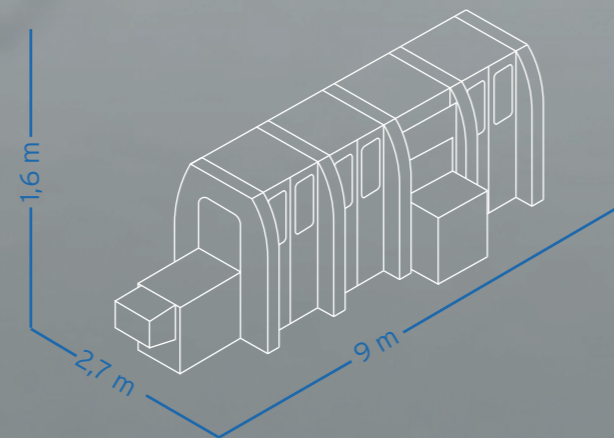
Roby 1800 XL

Automatic casemaker

For the production of ○ Side ● Mono ○ Still - RevoBox System

☐ Max size 60x100 cm ⌚ Speed 1400 cycles/h

Roby 1800 Box comes from the experience of the automatic case-maker Roby 1800. The book covers can now be used, with small but important changes, for the luxury boxes production.



Gluing unit

Turning-in station

Delivery on stacker

Covering material feeder

- + Paper and laminated paper
- + Polyurethane
- + Fabric
- + Other covering materials

Board feeder

- + Max number of pieces: 6 (standard)
- + Max cardboard thickness: mm 3

Magnets inserter

- + Max number of magnets: 4

It can produce:

- + Single-piece cases
- + Cases made of up-to-6 pieces

Machine versions:

- + Roby 1800 XL: standard version
- + Roby 1800 XL Box: complete version large-size format (60 x 100 cm) for boxes
- + Lining 1800 XL: for lining